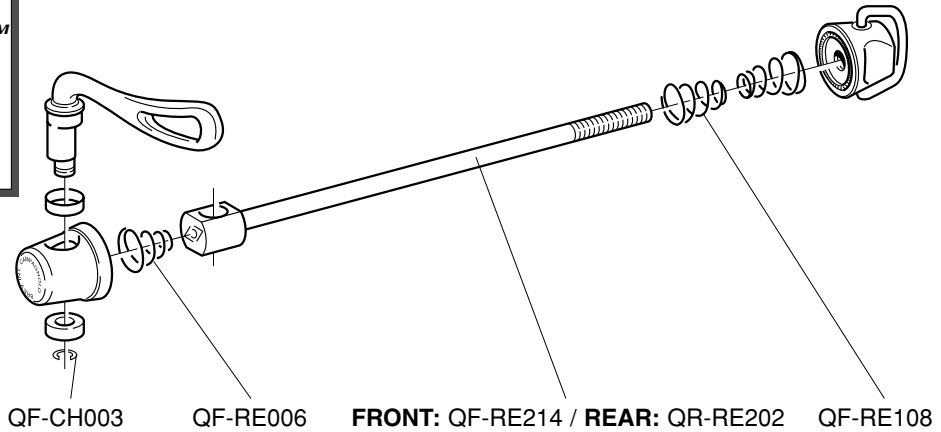
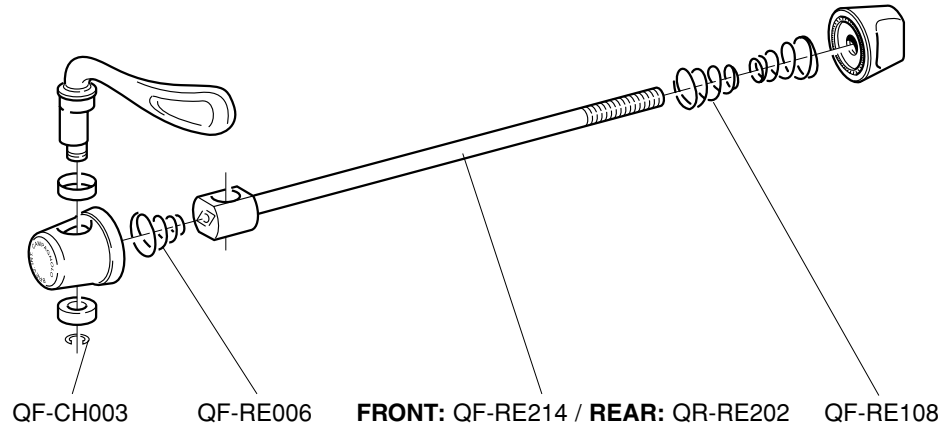


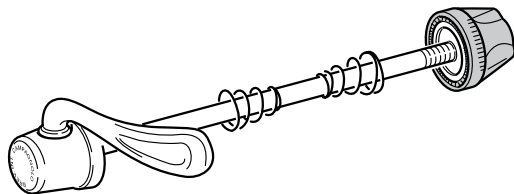
RECORD™
BORA™ - EURUS™ - GIBLI™
HYPERON™ - NEUTRON™
 front: QF-RE121
 rear: QR-RE121



CHORUS™
 front: QF-CH111
 rear: QR-CH111

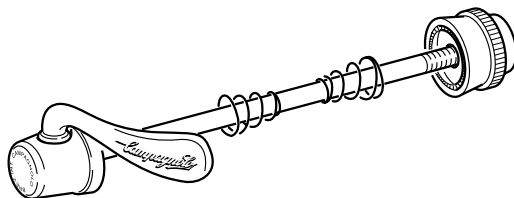


CENTAUR™
PROTON™
ZONDA™



FRONT: QF-AT101
REAR: QR-AT101

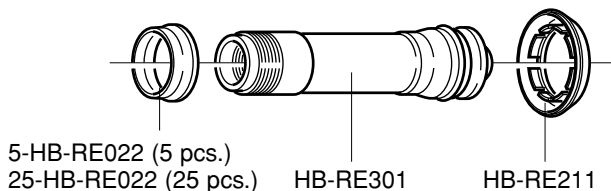
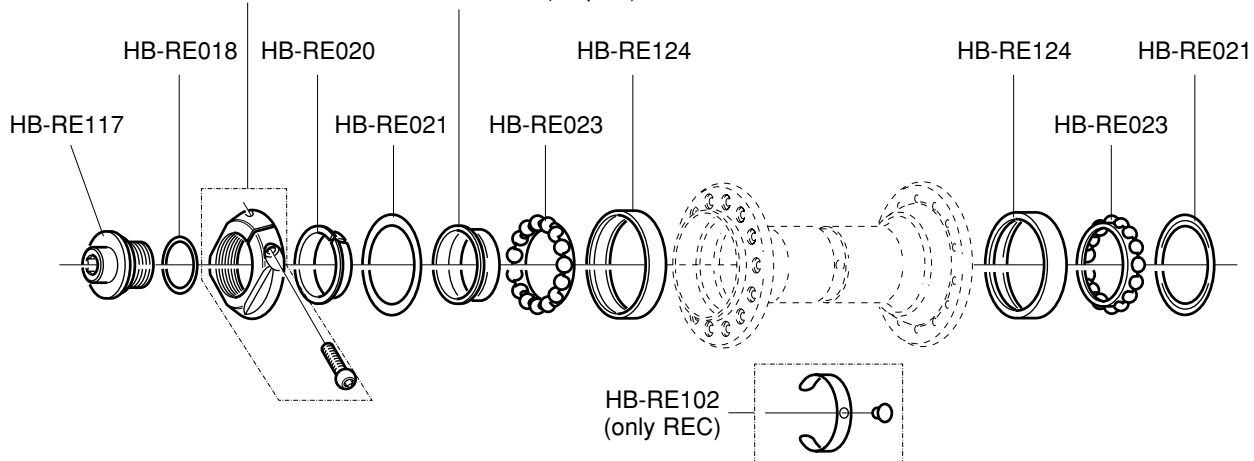
VELOCE™
SCIROCCO™
VENTO™



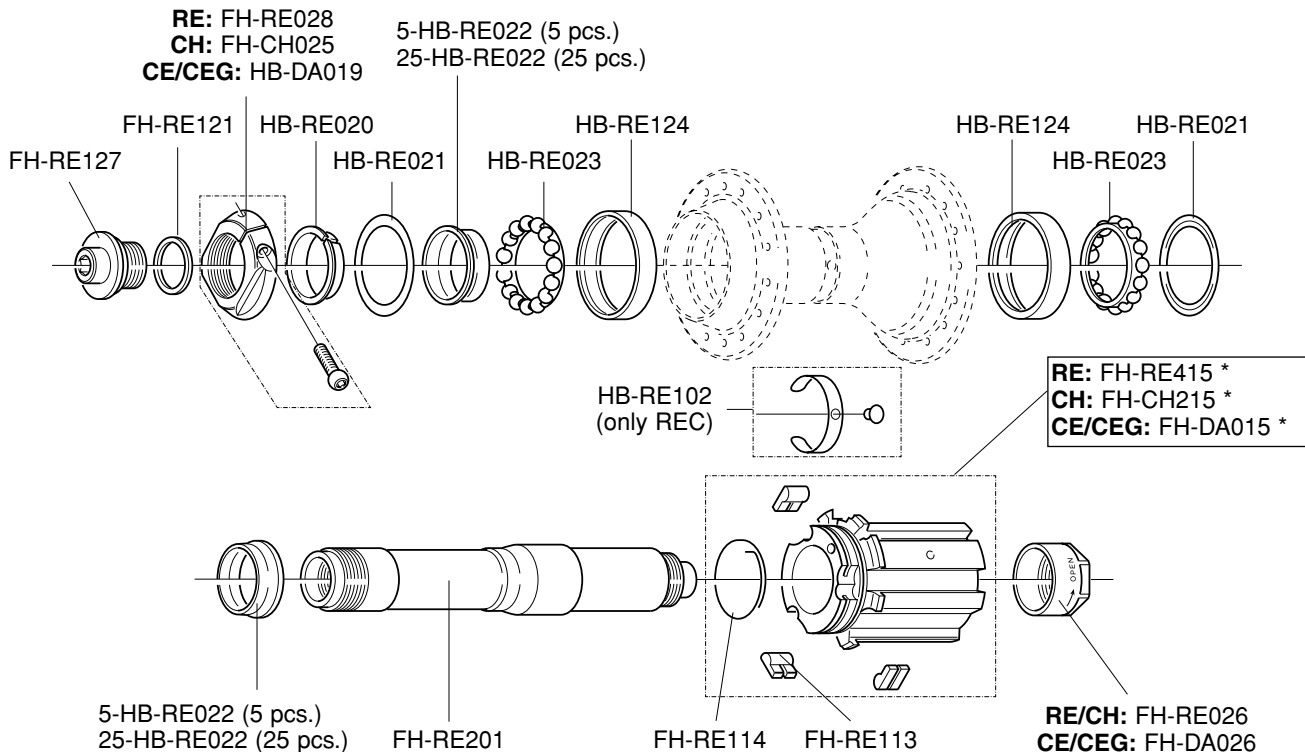
FRONT: QF-AT101
REAR: QR-AT101

RECORD™ HB02-RE..
CHORUS™ HB02-CH..
CENTAUR™ HB02-CE..
CENTAUR™ CENTURY GREY™ HB4-CEG.

RE/CH: HB-RE019 5-HB-RE022 (5 pcs.)
 CE/CEG: HB-DA019 25-HB-RE022 (25 pcs.)

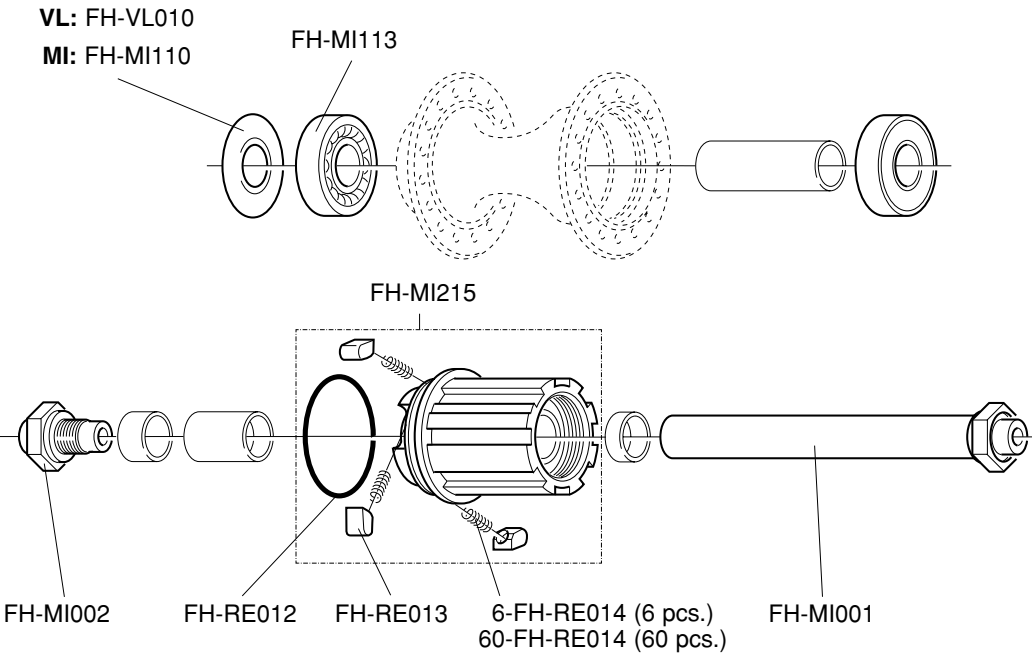
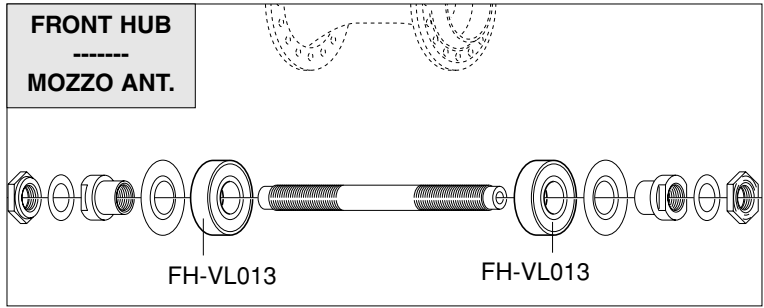


RECORD™ 9s/10s FH02-RE..
CHORUS™ 9s/10s FH02-CH..
CENTAUR™ 9s/10s FH02-CE..
CENTAUR™ CENTURY GREY™ 9s/10s FH4-CE.



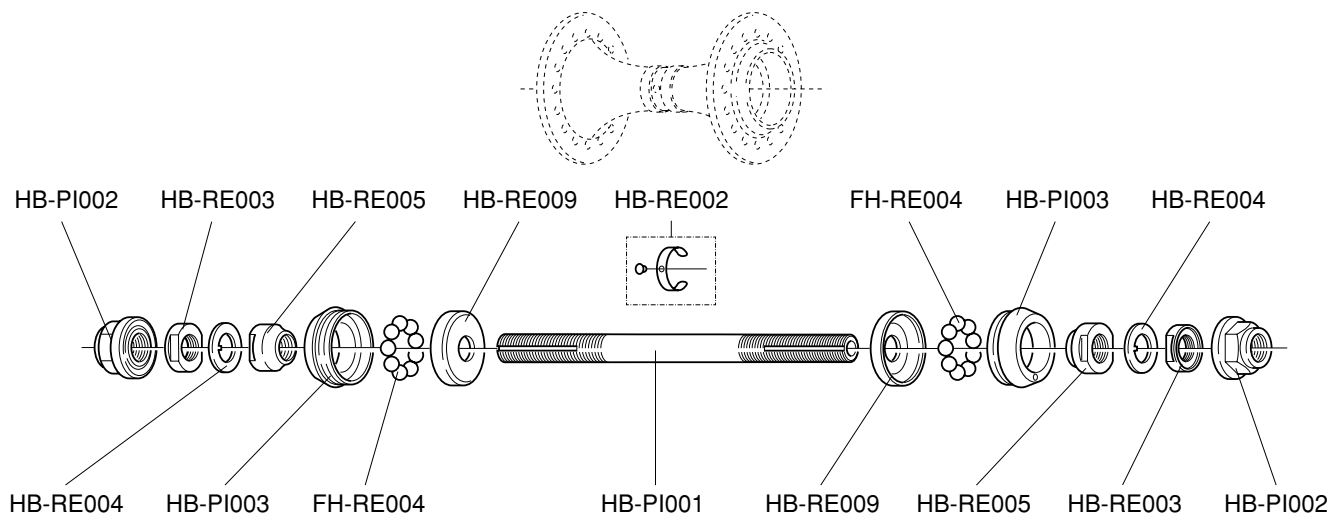
* HyGI 8/9 type FW body / corpetto RL tipo HyGI 8/9: **WH-KX1** (RECORD™ type) **WH-KX2** (CHORUS™ type)

VELOCE™ 9s/10s FH02-VL..
MIRAGE™ 9s FH4-MIB.

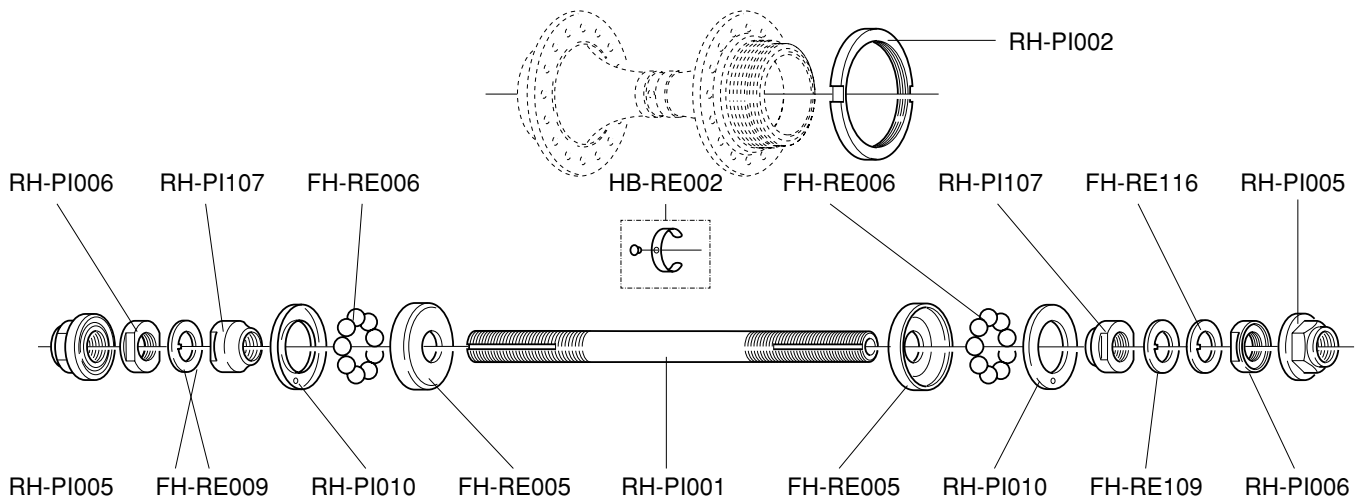


REAR HUB

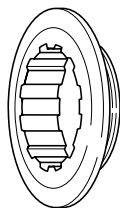
RECORD™
PISTA
HB02-REPI..



RECORD™
PISTA
FH02-REPI..



**ECROUS
VERSCHLUSSRING**



**GHIERE
LOCKRINGS**

CODE CODICE	TYPE TIPO		RANGE GAMMA	HUB COMPATIBILITY COMPATIBILITÀ MOZZI
CS-401	<i>9s / 10s</i> "oversize" thread/fil.: 27 x 1	steel / acciaio	2000 e succ. 2000 and following	all groups / tutti i gruppi all wheels / tutte le ruote
			1999	™RECORD™ - CHORUS all wheels / tutte le ruote
CS-501	<i>9s / 10s</i> "oversize" thread/fil.: 27 x 1	steel / acciaio (for Z. 11)	2000 e succ. 2000 and following	all groups / tutti i gruppi all wheels / tutte le ruote
			1999	RECORD™ - CHORUS™ all wheels / tutte le ruote
CS-101T	<i>9s / 10s</i> "oversize" thread/fil.: 27 x 1	titanium / titanio	2000 e succ. 2000 and following	all groups / tutti i gruppi all wheels / tutte le ruote
			1999	RECORD™ - CHORUS™ all wheels / tutte le ruote
CS-201	<i>9s</i> thread/fil.: 26 x 1	steel / acciaio	1999	ATHENA - VELOCE™ - MIRAGE™
			1998 / 1997	9s groups / gruppi 9s 9s wheels / ruote 9s
CS-301	<i>9s</i> thread/fil.: 26 x 1	steel / acciaio (for Z. 11)	1999	ATHENA - VELOCE™ - MIRAGE™
			1998 / 1997	9s groups / gruppi 9s 9s wheels / ruote 9s
CS-001T	<i>9s</i> thread/fil.: 26 x 1	titanium / titanio	1999	ATHENA - VELOCE™ - MIRAGE™
			1998 / 1997	9s groups / gruppi 9s 9s wheels / ruote 9s '97 8s aluminum FW body / corpetto RL in alluminio 8s '97
CS-001V	<i>8s</i> thread/fil.: 29 x 1	steel / acciaio	1999 e prec. 1999 and previous	all 8s hubs (with steel FW body) tutti i mozzi 8s (con corpetto TL in acciaio)

RECORD™
UD 10s
CSK00-RE10..

DISTANZIALI / SPACERS

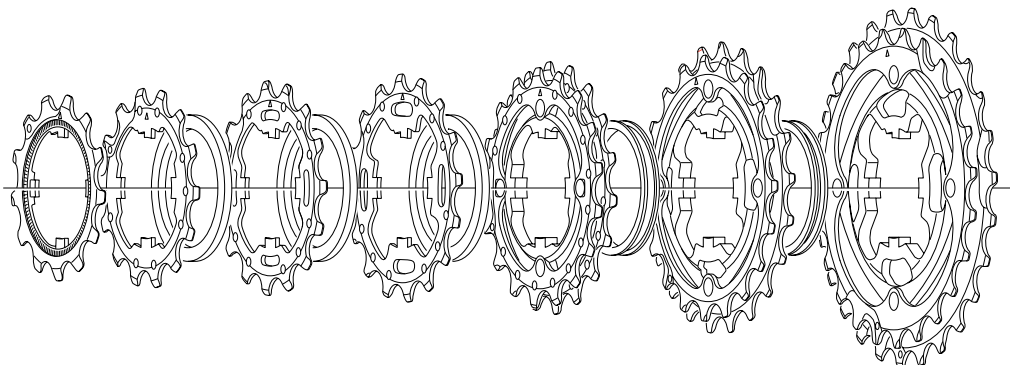
F = CS-601

G = CS-602

H = CS-603

I = CS-604

L = CS-605



11 - 21	11A-1° 9S-011	12A-2° 10S-022		13A 10S-131	F	14A 10S-141	F	15A 10S-151	F	16A 10S-161	G	17A-18C* 10S-78CT	H	19C-21C* 10S-91CT
11 - 23	11A-1° 9S-011	12A-2° 10S-022		13A 10S-131	F	14A 10S-141	F	15A 10S-151	F	16A 10S-161	G	17A-19A* 10S-79AT	H	21A-23A* 10S-13AT
12 - 23	12A-1° 10S-032	13A 10S-131	F	14A 10S-141	F	15A 10S-151	F	16A 10S-161	I	17A 10S-171	G	18A-19A* 10S-89AT	H	21A-23A* 10S-113AT
12 - 25	12A-1° 10S-012	13A 10S-131	F	14A 10S-141	F	15A 10S-151	F	16A-17A* 10S-67A	I	19A-21A* 10S-91AT	L	23A-25A* 10S-35AT		
13 - 26	13A-1° 10S-013	14A 10S-141	F	15A 10S-151	F	16A 10S-161	F	17A-18C* 10S-78C	I	19C-21C* 10S-91CT	L	23C-26C* 10S-36CT		
13 - 29	13A-1° 10S-013	14A 10S-141	F	15A 10S-151	F	16A 10S-161	F	17A-19A* 10S-79A	I	21A-23A* 10S-13AT	L	26A-29A* 10S-69AT		

* pre-assembled

**RECORD™ UD
TITANIUM 10s
CSK00-RE10..T**

DISTANZIALI / SPACERS

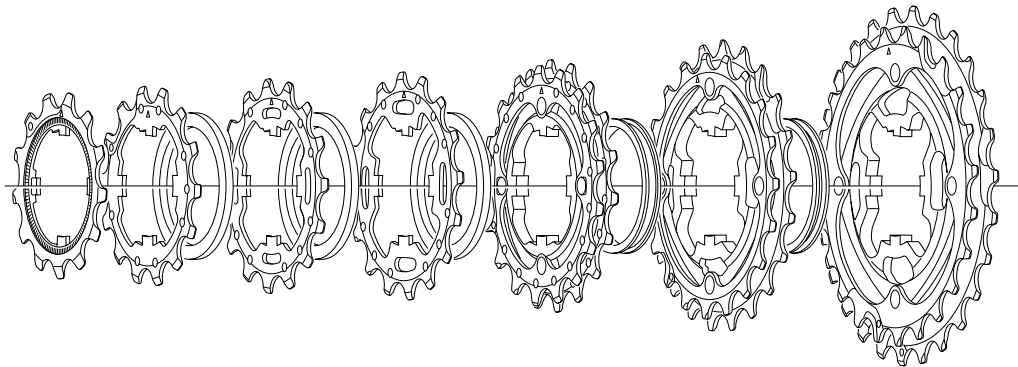
F = CS-601

G = CS-602

H = CS-603

I = CS-604

L = CS-605

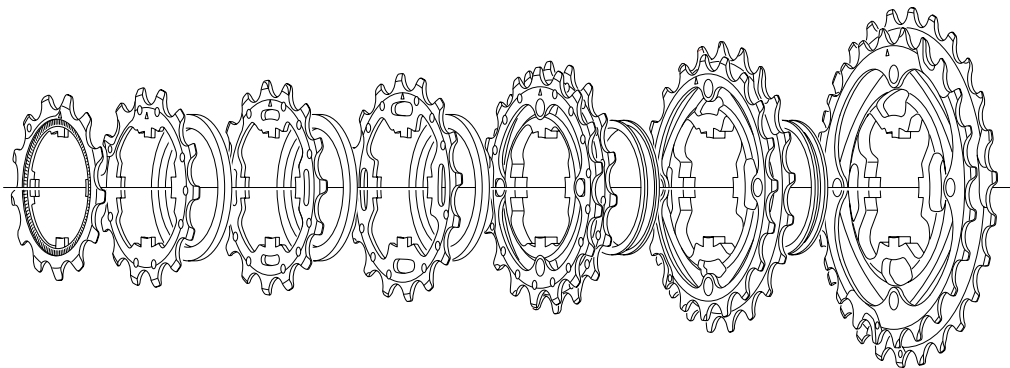


11 - 23	11A-1° 9S-011	12A-2° 10S-022T		13A 10S-131T	F	14A 10S-141T	F	15A 10S-151T	F	16A 10S-161T	G	17A-19A* 10S-79AT	H	21A-23A* 10S-13AT
12 - 25	12A-1° 10S-012T	13A 10S-131T	F	14A 10S-141T	F	15A 10S-151T	F	16A-17A* 10S-67AT	I	19A-21A* 10S-91AT	L	23A-25A* 10S-35AT		
13 - 26	13A-1° 10S-013T	14A 10S-141T	F	15A 10S-151T	F	16A 10S-161T	F	17A-18C* 10S-78CT	I	19C-21C* 10S-91CT	L	23C-26C* 10S-36CT		

* pre-assembled

CHORUS™
UD 10s
CSK00-CH10..

DISTANZIALI / SPACERS
F = CS-601
G = CS-602
H = CS-603
I = CS-604
L = CS-605



11 - 23	11A-1° 9S-011	12A-2° 10S-022		13A 10S-131	F	14A 10S-141	F	15A 10S-151	F	16A 10S-161	G	17A-19A* 10S-79A	H	21A-23A* 10S-13A
12 - 25	12A-1° 10S-012	13A 10S-131	F	14A 10S-141	F	15A 10S-151	F	16A-17A* 10S-67A	I	19A-21A* 10S-91A	L	23A-25A* 10S-35A		
13 - 26	13A-1° 10S-013	14A 10S-141	F	15A 10S-151	F	16A 10S-161	F	17A-18C* 10S-78C	I	19C-21C* 10S-91C	L	23C-26C* 10S-36C		
13 - 29	13A-1° 10S-013	14A 10S-141	F	15A 10S-151	F	16A 10S-161	F	17A-19A* 10S-79A	I	21A-23A* 10S-13A	L	26A-29A* 10S-69A		

* pre-assembled

CENTAUR™
UD 10s
CS4-CEX..

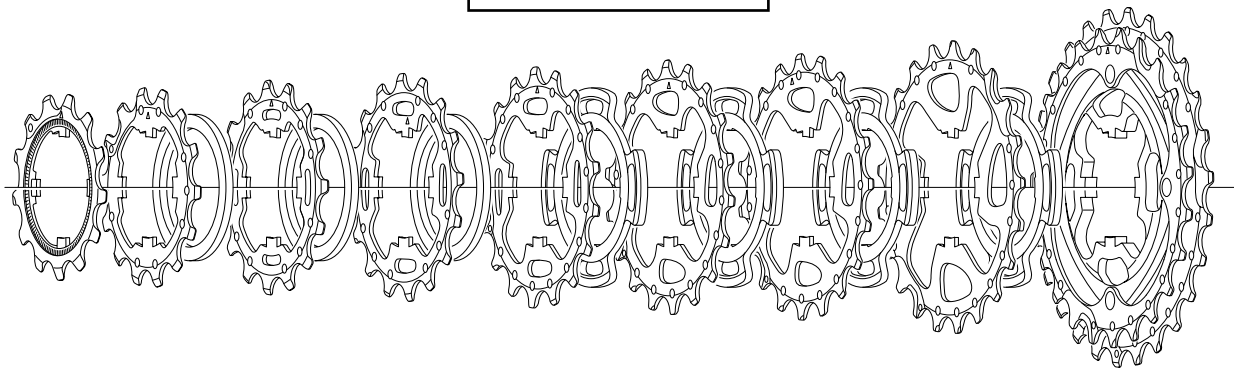
DISTANZIALI / SPACERS

F = CS-601

G = CS-602

M = CS-606

N = CS-607



11 - 23	11A-1° 9S-011	12A-2° 10S-022		13A 10S-131	F	14A 10S-141	F	15A 10S-151	F	16A 10S-161	G	17A 10S-171	N	19A 10S-191	M	21A-23A* 10S-13A
12 - 25	12A-1° 10S-032	13A 10S-131	F	14A 10S-141	F	15A 10S-151	F	16A 10S-161	F	17A 10S-171	N	19A 10S-191	N	21A 10S-211	M	23A-25A* 10S-35A
13 - 26	13A-1° 10S-023	14A 10S-141	F	15A 10S-151	F	16A 10S-161	F	17A 10S-171	N	18C 10S-183	N	19C 10S-193	N	21C 10S-213	M	23C-26C* 10S-36C
13 - 29	13A-1° 10S-023	14A 10S-141	F	15A 10S-151	F	16A 10S-161	F	17A 10S-171	N	19A 10S-191	N	21A 10S-211	N	23A 10S-231	M	26A-29A* 10S-69A

* pre-assembled

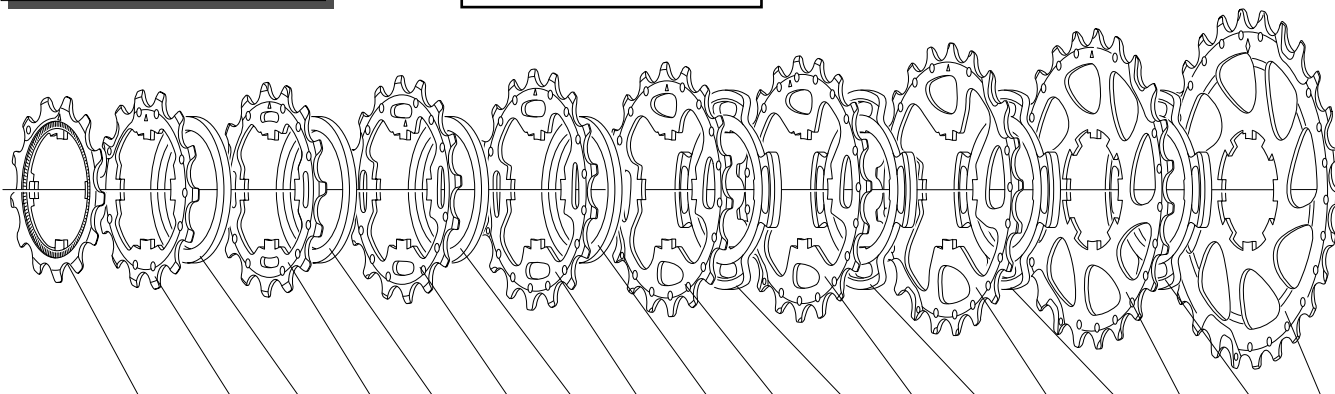
VELOCE™ UD 10s
CS4-VLX..

DISTANZIALI / SPACERS

F = CS-601

N = CS-607

P = CS-608

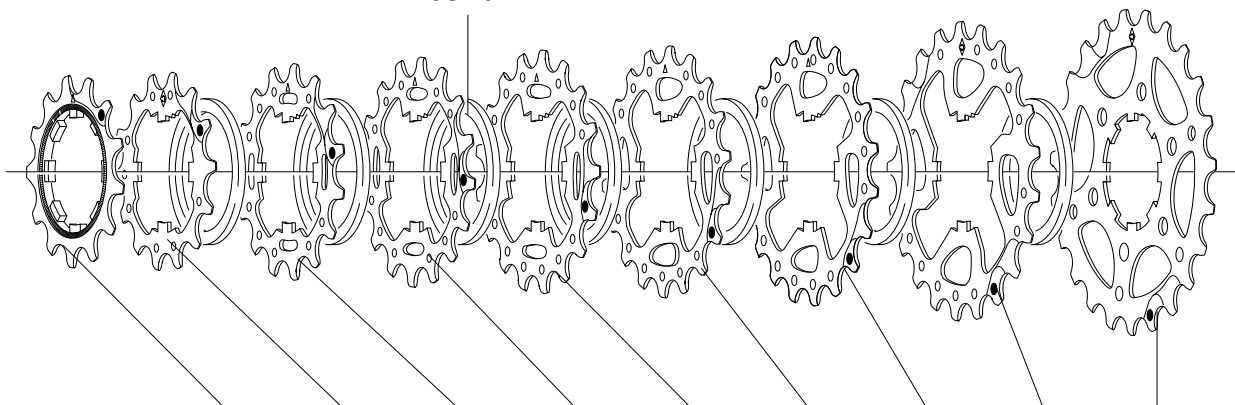


12 - 23	12A-1° 10S-032	13A 10S-131	F	14A 10S-141	F	15A 10S-151	F	16A 10S-161	F	17A 10S-171	N	18C 10S-193	N	19C 10S-193	N	21C 10S-213	P	23C 10S-233
12 - 25	12A-1° 10S-032	13A 10S-131	F	14A 10S-141	F	15A 10S-151	F	16A 10S-161	F	17A 10S-171	N	19A 10S-191	N	21A 10S-211	N	23A 10S-231	P	25A 10S-251
13 - 26	13A-1° 10S-023	14A 10S-141	F	15A 10S-151	F	16A 10S-161	F	17A 10S-171	F	18C 10S-183	N	19C 10S-193	N	21C 10S-213	N	23C 10S-233	P	26C 10S-263
13 - 29	13A-1° 10S-023	14A 10S-141	F	15A 10S-151	F	16A 10S-161	F	17A 10S-171	F	19A 10S-191	N	21A 10S-211	N	23A 10S-231	N	26A 10S-261	P	29A 10S-291
14 - 23	14A-1° 10S-014	15A 10S-151	F	16A 10S-161	F	17A 10S-171	F	18C 10S-183	F	19C 10S-193	N	20D 10S-204	N	21D 10S-214	N	22D 10S-224	P	23D 10S-234

VELOCE™ UD 9s
CS01-EC09..

MIRAGE UD 9s compatible

CS-102



12 - 23	12A-1° 9S-113	13A 9S-131	14A 9S-141	15A 9S-151	16A 9S-161	17A 9S-171	19A 9S-191	21A 9S-211	23A 9S-231
13 - 23	13A-1° 9S-114	14A 9S-141	15A 9S-151	16A 9S-161	17A 9S-171	18C 9S-183	19C 9S-193	21C 9S-213	23C 9S-233
13 - 26	13A-1° 9S-114	14A 9S-141	15A 9S-151	16A 9S-161	17A 9S-171	19A 9S-191	21A 9S-211	23A 9S-231	26A 9S-261
13 - 28	13B-1° 9S-015	14B 9S-142	15B 9S-152	17B 9S-172	19A 9S-191	21A 9S-211	23A 9S-231	25A 9S-251	28A 9S-281
14 - 28	14A-1° 9S-016	15A 9S-151	16A 9S-161	17A 9S-171	19A 9S-191	21A 9S-211	23A 9S-231	25A 9S-251	28A 9S-281

RECORD™
PRO-FIT PLUS™
PD01-RE

CHORUS™
PRO-FIT PLUS™
PD01-CH

CENTAUR™
PRO-FIT PLUS™
PD02-CE

RECORD™	R	PD-RE303
	L	PD-RE304

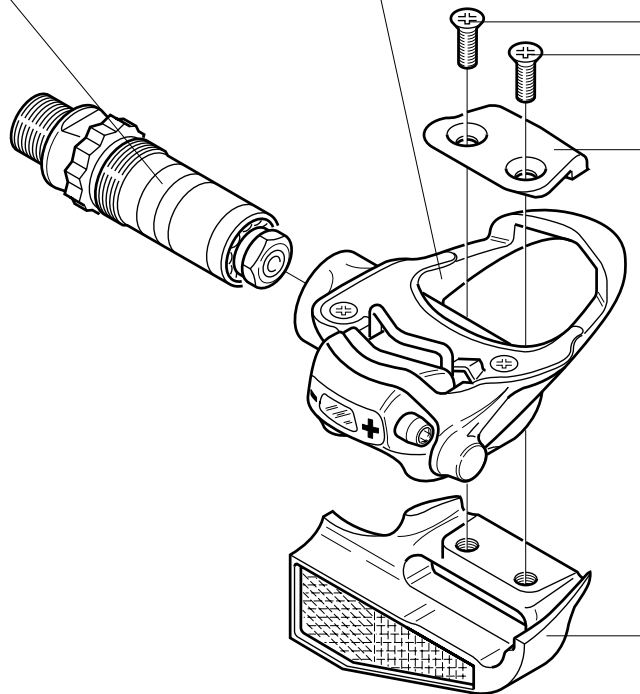
CHORUS™	R	PD-CH303
	L	PD-CH304

CENTAUR™	R	PD-DA003
	L	PD-DA004

RECORD™	R	PD-RE301
	L	PD-RE302

CHORUS™	R	PD-CH301
	L	PD-CH302

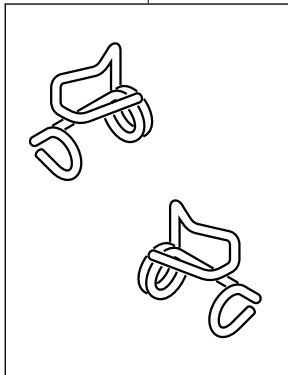
CENTAUR™	R	PD-CE001
	L	PD-CE002



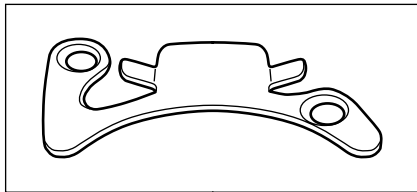
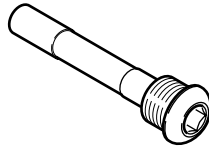
PD-RE108
(2 pcs.)

**PRO-FIT™ /
PRO-FIT PLUS™
SPARE PARTS**

R + L: PD-RE105

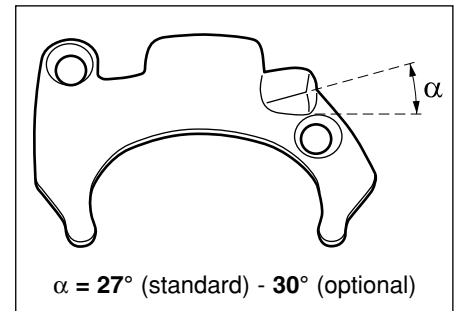
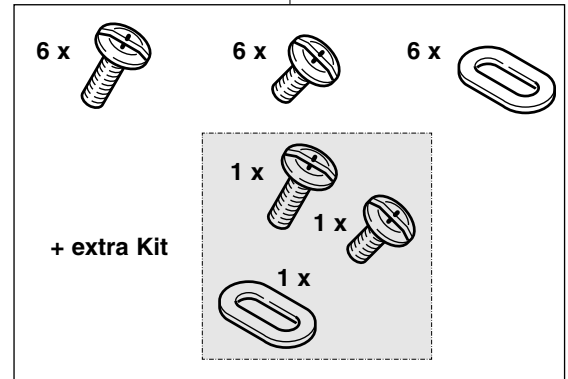


PD-RE107



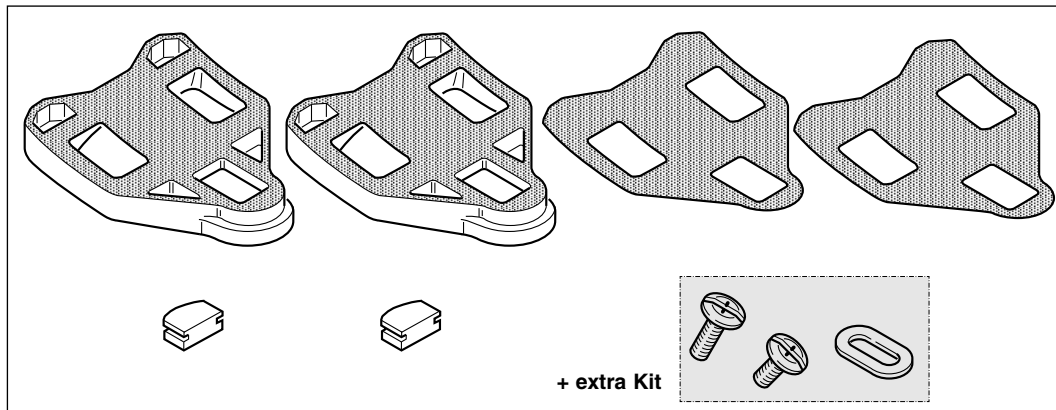
**PRO-FIT™
PD-RE111**

PD-RE116 (blister)



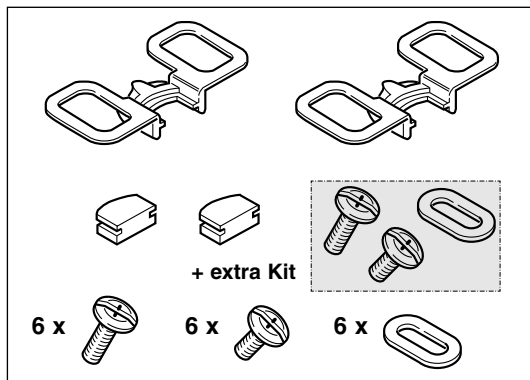
**PRO-FIT PLUS™
PD-RE110: standard - 27°
PD-RE109: HRE - optional - 30°**

**PRO-FIT™ /
PRO-FIT PLUS™
SPARE PARTS**



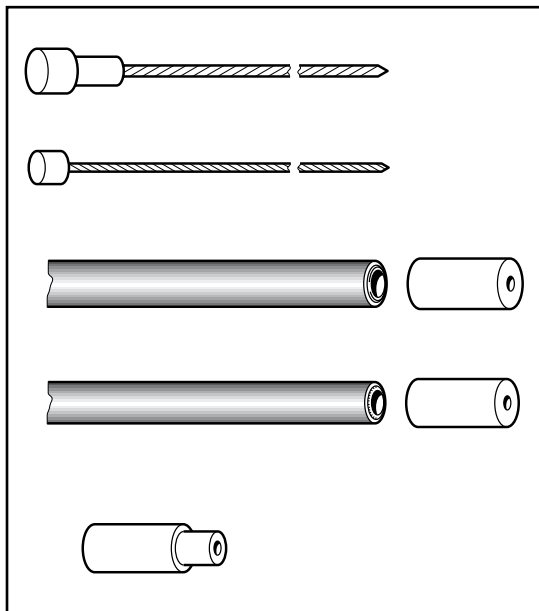
FLOATING CLEATS
PD-RE020
(blister)

FIXED CLEATS
PD-RE021
(blister)



PD-RE200 (blister)

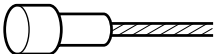

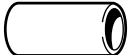


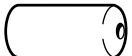

CABLES & CASINGS complete sets



<p>ERGOPOWER</p>	<p>CG-ER500 *</p> <p>CG-ER201BP (240 pcs. / pz.)</p>	
<p>TRADITIONAL</p>	<p>Brakes</p>	<p>CG-BR201</p>
	<p>Derailleurs</p>	<p>CG-DD201</p>

* blister-packed (incl. brake housing ferrules) / in conf. blister (incl. capi guaina)

CABLES & CASINGS SPARE PARTS

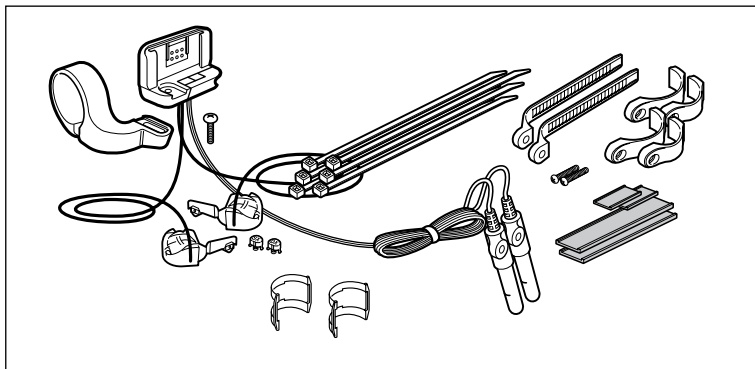
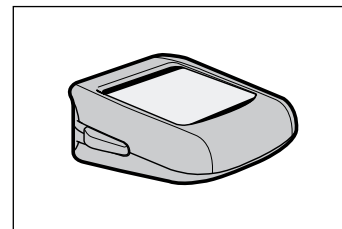
		FRONT	REAR	
BRAKES		Ø 1,6 mm L. 800 mm CG-CB003	Ø 1,6 mm L. 1600 mm 10-CG-CB013 (10 pcs.) - 50-CG-CB013 (50 pcs.)	
		Ø 5 mm L. 580 mm CG-CS014	Ø 5 mm L. 1250 mm CG-CS002	
		Ø 6 mm CG-CS011 (not sealed / senza guarnizione)		
DERAILLEURS	 Ø 1,2 mm	ERGOPOWER	L. 1600	CG-CB014
		ERGOPOWER	L. 2000	10-CG-CB009 (10 pcs.) - 50-CG-CB009 (50 pcs.)
		SHIFTING LEVERS	L. 830	CG-CB011
		SHIFTING LEVERS	L. 1600	CG-CB014
	 Ø 4,5 mm	ERGOPOWER	L. 680	CG-CS015
		ERGOPOWER	L. 330	CG-CS008
		Ø 5,7 mm CG-CS012 (sealed / con guarnizione)		
		Ø 5,7/4 mm CG-CS013 (sealed / con guarnizione)		



MAIN UNIT / SOLO COMPUTER

ErgoBrain 10™ CI03-EB10C3

(triple compatible)



ASSEMBLY KIT /

KIT D'INSTALLAZIONE

ErgoBrain™ CI00-EB09B1

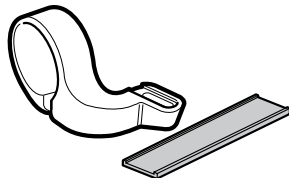
(for 9s drivetrain / per trasmissione 9s)

ErgoBrain 10™ CI00-EB10B2

(for 10s drivetrain / per trasmissione 10s)

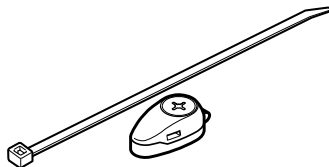
ErgoBrain™

ErgoBrain10™



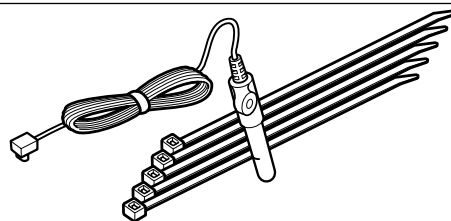
31,7 mm arm / fascetta 31,7 mm

CI-EB001



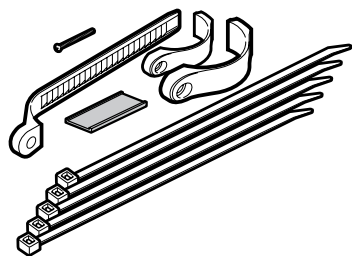
CDC magnet / magnete cadenza

CI-EB003



CDC sensor / sensore cadenza

CI-EB006



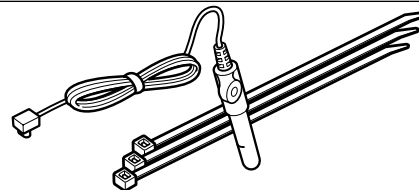
Sensor attachment / fascetta sensori

CI-EB002



CDC PRO-FIT pedal magnet /
magnete cadenza pedale PRO-FIT

CI-EB004



SPD sensor / sensore velocità

CI-EB007



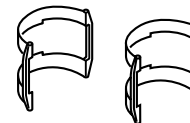
push buttons / copripulsanti

CI-EB009



SPD magnet / magnete velocità

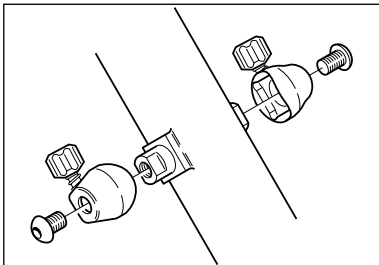
CI-EB008



spacers / distanziali

CI-EB010

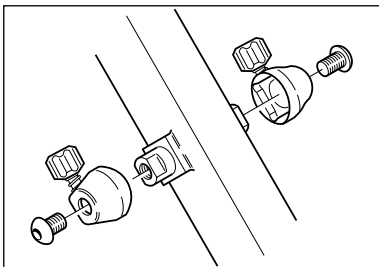
ERGOPOWER BLOCKS



FOR ROUND DOWN TUBE

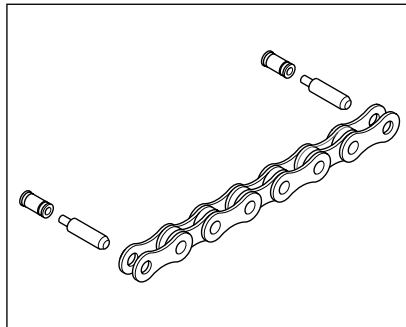
Aluminum: **EC-RE001**

Resin: **EC-AT001**



FOR FLAT DOWN TUBE

Resin: **EC-AT002**



CN-RE200

HD-Link™

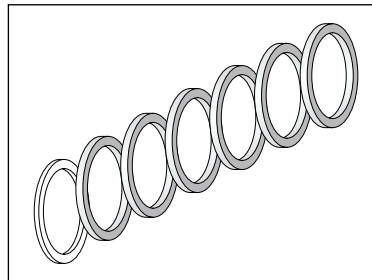
for C10™ UD™ and C10™ HD-L™
chains (blister-packed)



LB-1CN

SUPERLATIVE™

chain lubricant



KIT-03

Transforms a Veloce™ 9s sprocket set into a 8s cassette.

Only for 9s/10s hub/wheels.

RD-RE700	rotelline cambio 10s (8,4 mm)	10s (8,4 mm) rear derailleur pulleys	jeu de galets dérail. arr. 10s (8,4 mm)
RD-RE600	rotelline cambio 9s (8,8 mm)	9s (8,8 mm) rear derailleur pulleys	jeu de galets dérail. arr. 9s (8,8 mm)
RD-RE500	rotelline cambio 8s (9,8 mm)	8s (9,8 mm) rear derailleur pulleys	jeu de galets dérail. arr. 8s (9,8 mm)
EC-RE600	coprisupporti EP dx + sx "new style"	right + left EP rubber hoods (new style)	repose-main EP droit + gauche "new style"
EC-RE500	coprisupporti EP dx + sx "old style"	right + left EP rubber hoods (old style)	repose-main EP droit + gauche "old style"
BR-RE701	pattini freno per ruote HYPERON™ e BORA™ 2003 tubolare	brake pads for HYPERON™ and BORA™ 2003 tubular wheels	patins de frein roues HYPERON™ et BORA™ 2003 boyaux
BR-RE702	pattini freno per ruote HYPERON™ copertoncino	brake pads for HYPERON™ clincher wheels	patins de frein roues HYPERON™ pneus étroits
BR-RE700	pattini freno	brake pads	patins de frein
BR-RE600	pattini freno	brake pads	patins de frein
BR-MI600	pattini freno compl.	compl. brake pads	patins de frein compl.
BL-RE500	coprisupporti tradizionali dx + sx (gamma 2000 e prec.)	r + l traditional rubber hoods (2000 range and prev.)	repose-main trad. droit + gauche (gamme 2000 et préc.)
PD-RE020	tacchette pedali (con gioco)	self-aligning pedal cleats	plaques avec jeu pour pédales
PD-RE021	tacchette pedali (senza gioco)	fixed pedal cleats	plaques sans jeu pour pédales
PD-RE200	denti d'aggancio pedali + viti	pedal engaging hooks + screws	dispositifs d'accrochage pédales + vis
PD-RE116	viti fissaggio tacchette pedali	pedal cleats fixing screws	vis fixation plaques pédales
CG-ER500	cavi e guaine EP (con capi-guaina)	EP cables and casings (with brake housing ferrules)	câbles et gaines EP (avec butée de gaines)
CN-RE200	HD-LINK™ per catene C10™ UD™ e HD-L™	HD-LINK™ for C10™ UD™ and HD-L™ chains	HD-LINK™ for C10™ UD™ and HD-L™ chains